

# DA ATTICO®

# estal

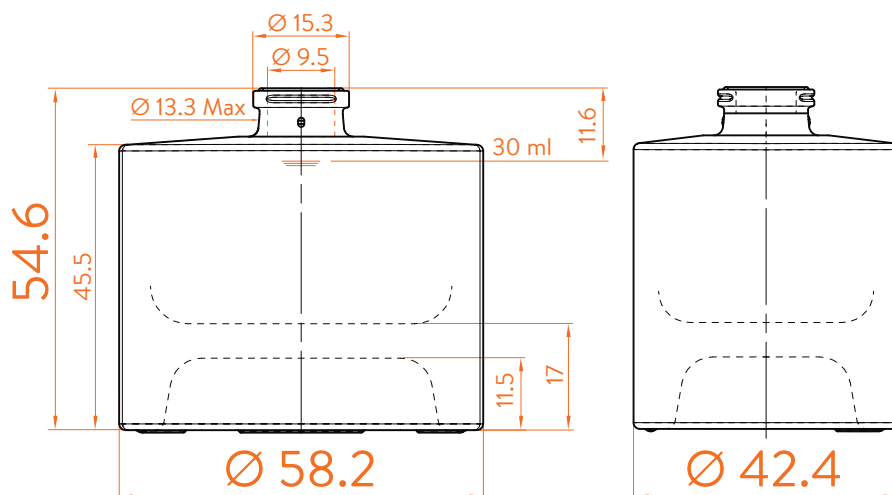
www.estal.com  
+34 972 821 676



Modelo registrado/  
Registered model/  
Modèle enregistré

 FEA 15

 EXTRA FLINT



## DATOS TÉCNICOS TECHNICAL DATA DONNÉES TECHNIQUES

**Peso / Weight / Poids**

152 gr

**Altura total / Total height / Hauteur totale**

54,6 mm

**Diámetro del cuerpo / Body diameter / Diamètre du corps**

58,2 / 42,4 mm

**Ø interno boca / Ø inner mouth / Ø intérieur bouche**

9,5 mm

**Capacidad a verter / Brimfull / Capacité Ras-Bord**

33 ml

## 30 ml

At first the DA ATTICO range is proposed in 30, 50 and 100 ml.  
Following business opportunities, other sizes - from miniature 5 cl to big sizes 300 cl will be added to the range.

The elements detailed in this document are not contractual. They are only indicative.