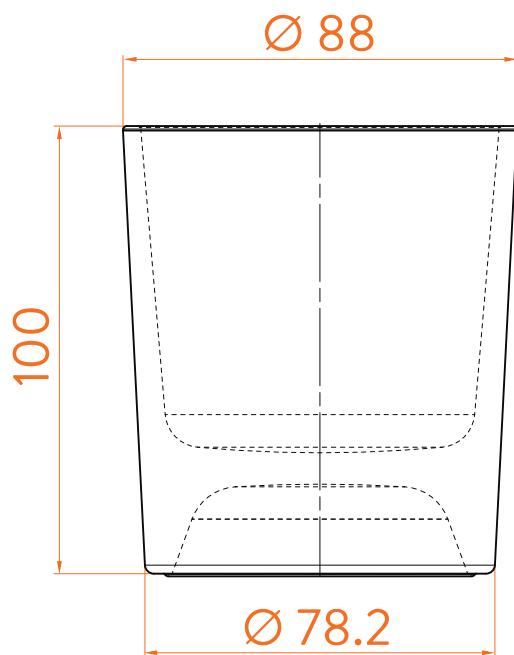


DA UPPER

estal

www.estal.com
+34 972 821 676

Modelo registrado/
Registered model/
Modèle enregistré



EXTRA FLINT



DATOS TÉCNICOS TECHNICAL DATA DONNÉES TECHNIQUES

Peso / Weight / Poids

452 gr

Altura total / Total height / Hauteur totale

100 mm

Diámetro del cuerpo / Body diameter / Diamètre du corps

78,2 / 88 mm

Ø interno boca / Ø inner mouth / Ø intérieur bouche

-- mm

Capacidad a verter / Brimfull / Capacité Ras-Bord

300 ml

300 ml

At first the DA UPPER range is proposed in 300 ml.
Following business opportunities, other sizes - from miniature 5 cl to big sizes 300 cl will be added to the range.

The elements detailed in this document are not contractual. They are only indicative.